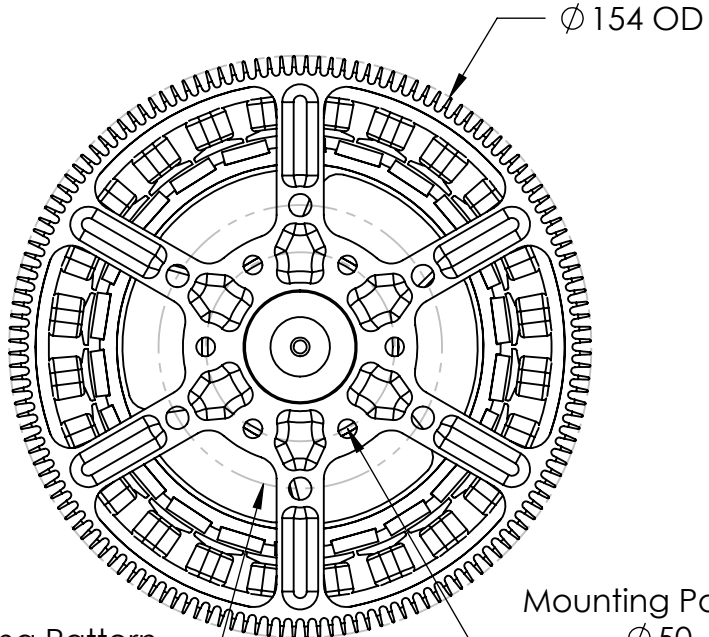


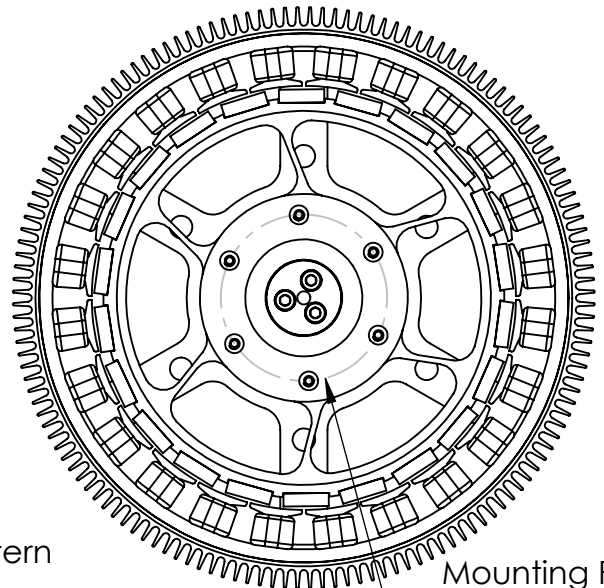
68.10



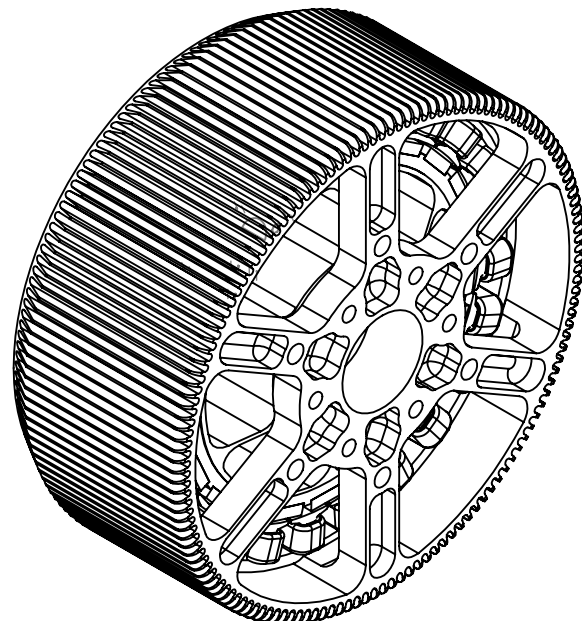
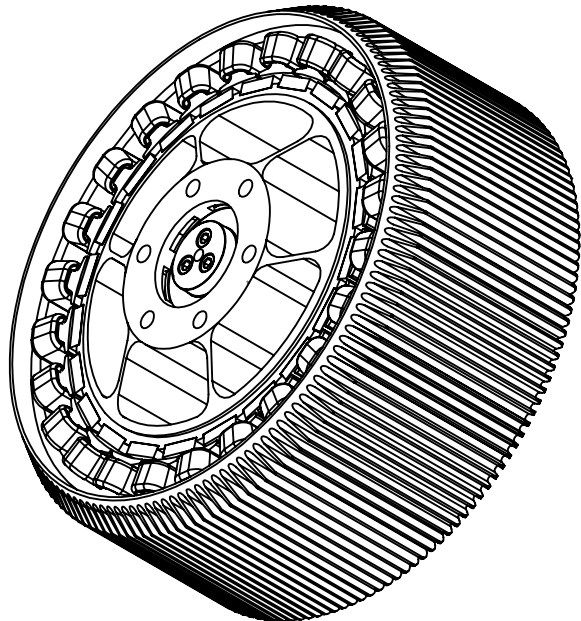
Ø 154 OD

Mounting Pattern  
Ø 75  
6x M6 Thru

Mounting Pattern  
Ø 50  
M6 Tapped



Mounting Pattern  
Ø 44  
6x M5 Tapped



340 Woodpecker Ridge  
Santa Cruz, CA 95060  
+1 (831) 426-3733

TITLE: JM1		
DWG. NO.		
DRAWN	AUTHOR Scott MacAfee	DATE 1/10/14
REVA-01	Standard Tolerances in MM (Unless Otherwise Specified) Linear Dimensions: X.XX +/-0.05mm X.XXX +/-0.010mm Angular Dimensions: +/-0.5 degree	
PROPRIETARY NOTICE: This document is the property of Joby Aviation Inc. and contains confidential, proprietary information. Neither it nor the information contained therein shall be disclosed to or duplicated nor used by others except as authorized by Joby Aviation Inc in writing.		
Material:		SHEET 1 OF 1

Color: Anodized Orange    Finish: Sand Blasted    Weight: GRAMS